



Otway

Designed by Justin Hutchinson
for Kett Studio
2017

Lounge

Towering Mountain Ash, settled fern gullies and dappled light through a forest canopy.

The Otway Collection is defined by its soft timber profile. Encompassing refined dining tables with porcelain tops, a selection of sideboards, bed suites and occasional pieces.

Sofas, Chairs & Ottomans

	2 Seater (950mm Seat)	3 Seater (700mm Seat)	3 Seater (800mm Seat)
<p>OT-228</p>	<p>OT-228</p>	<p>OT-248</p>	<p>OT-278</p>
Lounge Chair	Ottoman (900mm)	Ottoman (700mm Seat)	Ottoman (800mm Seat)
<p>OT-LC</p>	<p>OT-90-O</p>	<p>OT-70-O</p>	<p>OT-80-O</p>

Modular Components

	Sofa Left Arm	Chaise Right
<p>OT-210-L</p>	<p>OT-210-L</p>	<p>OT-115-CHR</p>

Seat Cushion Size - 950mm

Sofa Left Arm	Sofa Left Arm	Corner Sofa Right Arm	Chaise Sofa Right	Chaise Right
<p>OT-180-L</p>	<p>OT-260-L</p>	<p>OT-278-CSR</p>	<p>OT-220-CHSR</p>	<p>OT-100-CHR</p>

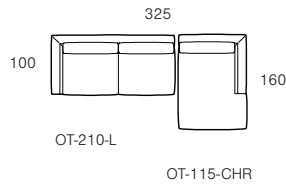
Seat Cushion Size - 800mm

Coffee Table (Square)	Coffee Table (Rectangular)	Side Table	Coffee Table (Round)
<p>OTC-SQ</p>	<p>160 x 80 : OTC-REC 120 x 65 : OTC-TR</p>	<p>OTC-R40</p>	<p>1000mm Ø : OTC-R100 700mm Ø : OTC-R70</p>

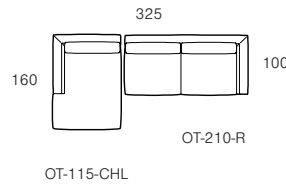
Modular Examples

Products listed from top left to bottom right

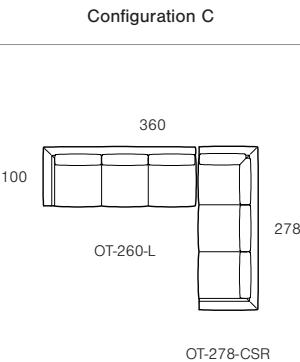
- A.
 1 x Sofa Left Arm (OT-210-L)
 1 x Chaise Right (OT-115-CHR)



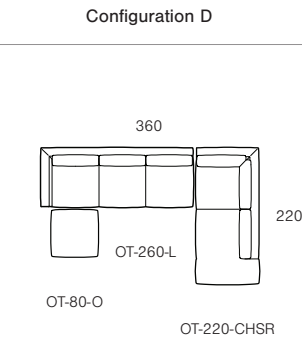
- B.
 1 x Chaise Left (OT-115-CHL)
 1 x Sofa Right Arm (OT-210-R)



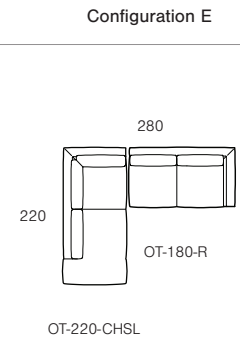
- C.
 1 x Sofa Left Arm (OT-260-L)
 1 x Corner Sofa Right Arm (OT-278-CSR)



- D.
 1 x Sofa Left Arm (OT-260-L)
 1 x Chaise Sofa Right (OT-220-CHSR)
 1 x Ottoman (OT-80-O)



- E.
 1 x Sofa Right Arm (OT-180-R)
 1 x Chaise Sofa Left (OT-220-CHSL)



Technical

Discover Kett at
kettfurniture.com.au
 Exclusive to CoshLiving
coshliving.com.au

Ordering Instructions
 The Otway sofa collection is available in a range of sizes and configurations, as shown.
 When selecting modular components, we advise selecting units from the same seat cushion size series.
 Modular components are available in left (L) or (R) facing configurations and (C) indicates corner unit.
 Add 'L' or 'R' to the end of product codes to specify their configuration. E.g. OT-210-L or OT-210-R

Materials
 Sofas: The sofa's seat support is a sprung steel frame system, with the base and legs are crafted from solid Oak. Back cushions consist of a feather down composition, whilst seat cushions comprise of a premium foam inner core and luxury feather down tops, providing ultimate comfort.

Coffee Table: Timber base constructed from Solid Oak, choose from 3 Porcelain tops. Round Coffee tables & Side Tables are available in 2 height variations.
 Trestle Table: Timber base & Top constructed from Solid Oak.
Timber Stains
 Natural Oak, Lt Walnut, Exhibition
Porcelain
 Calacatta Oro Venato (Soft Touch)
 Bianco Statuario Venato (Soft Touch)
 Nero Greco (Soft Touch)

Fabrics / Leathers
 Choose from a premium range of curated fabrics and leathers.